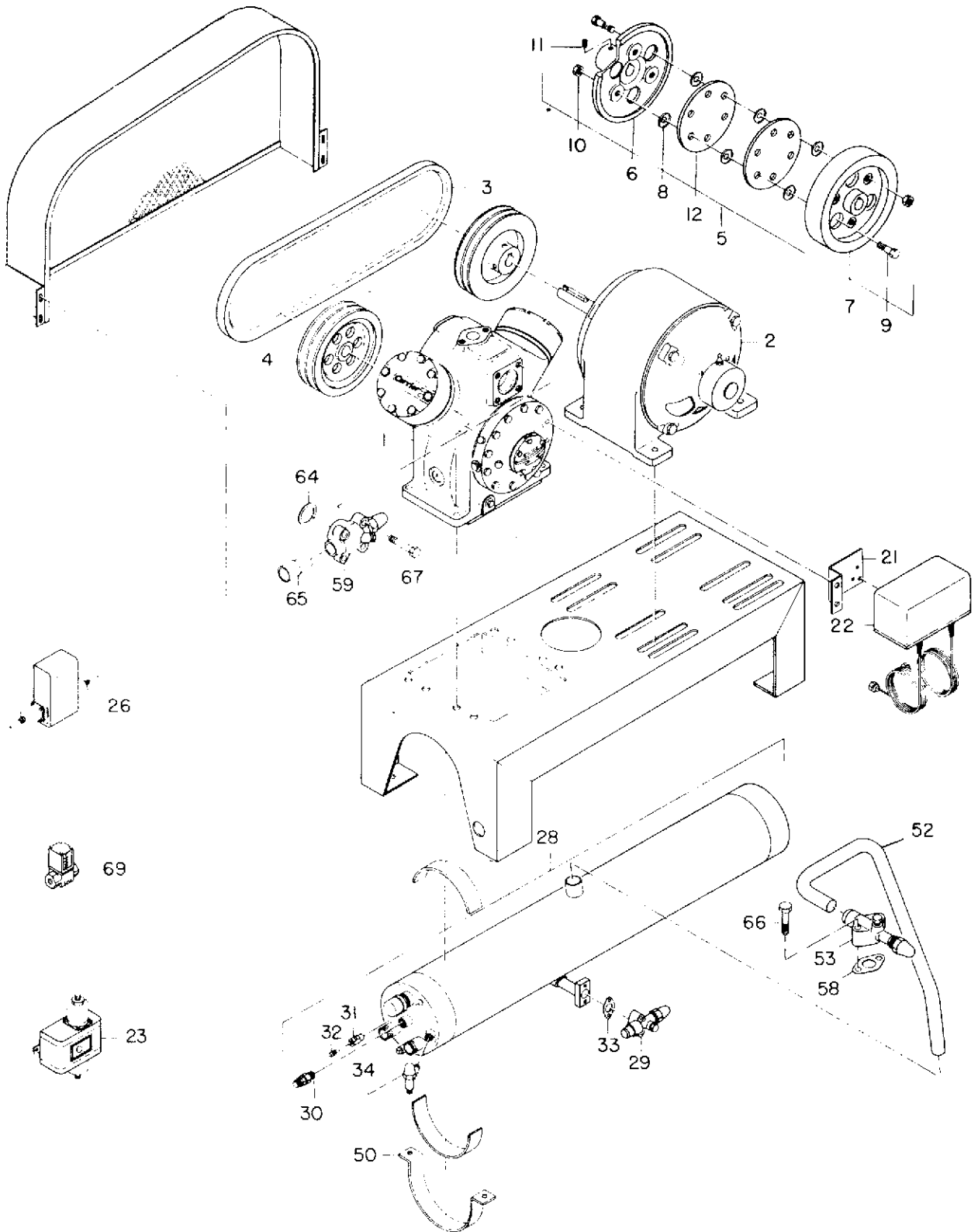


FREON CONDENSING UNIT

5F



5F20,30

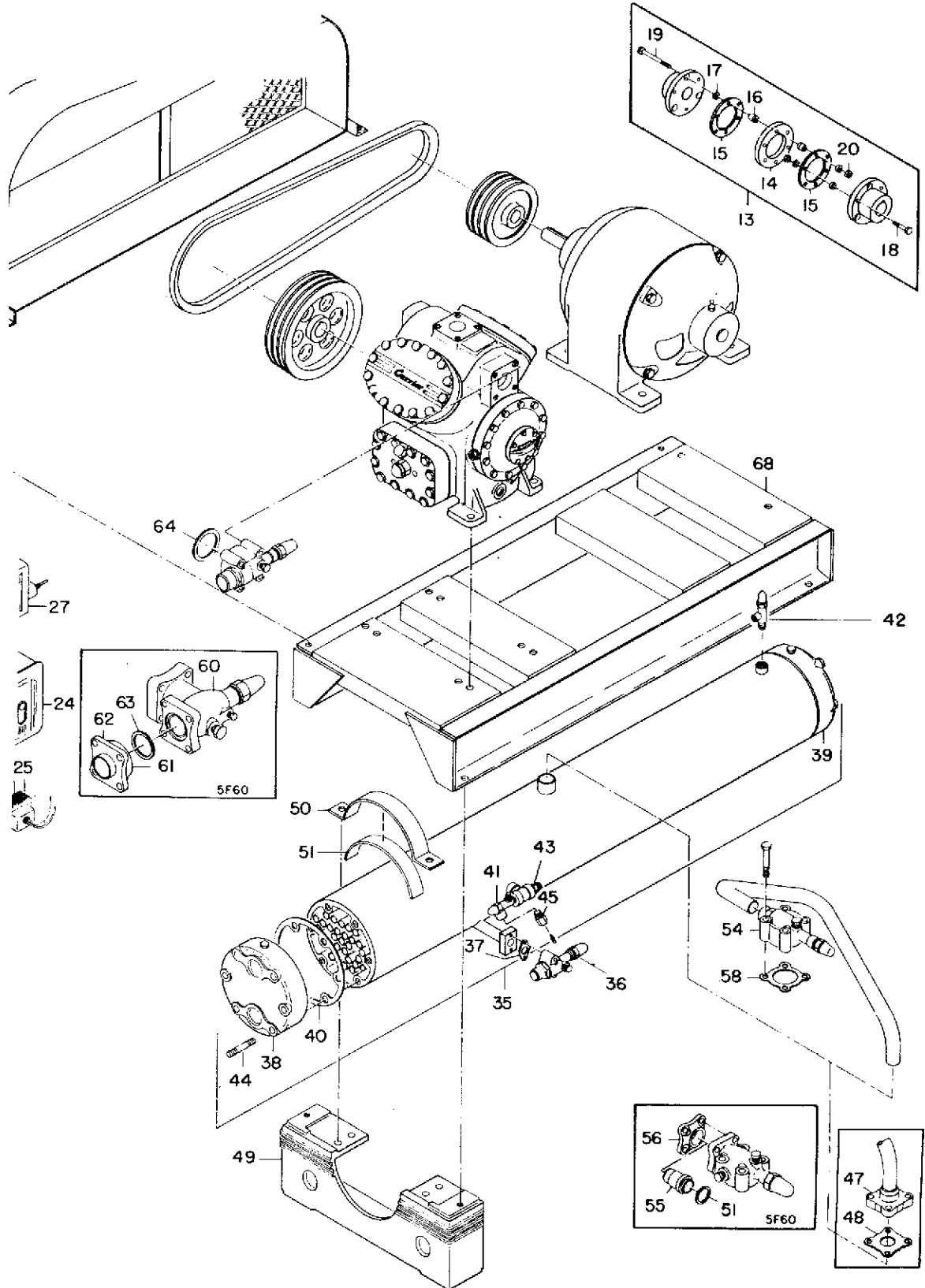


FREON CONDENSING UNIT

5F

ITEM NO.	PART NAME	LDC	REPLACEMENT PART NUMBER	UNIT USAGE			
				5F			
				20	30	40	60
COMPRESSOR GROUP							
1	Compressor (Without Unloaders)		∅5F20-S674	1			
			5F30-S644		1		
			*5F20-A189	1			
1	Compressor (With Unloaders) *Prior Serial #K201567 ∅Start Serial #K201567		∅5F20-S684	1			
			5F30-S664		1		
			5F40-A219			1	
			5F60-A219				1
			*5F20-A219	1			
<p>NOTES: 1. All Compressors are less Flywheels, Shut-Off Valves and Pressurestats, but with Valve Pads and Crankcase Heater Casing.</p> <p>2. Compressors for Carrene 22 are available on special order only. For Water Cooled Cylinder Head Packages see "Compressor Body Group."</p> <p>3. Belt Drive Packages which include Pulley, Belts and Flywheels are not listed. Refer to your 5F,H Master Price Pages.</p>							
DRIVE GROUP							
2	Compressor Motors	CD					
3	Belt Drive Packages (See Note #3 Above)	AP					
4	Flywheel Package 8" O.D., 7.5PD, 2B Groove	AP					
	8" O.D., 7.5PD, 3B Groove	AP					
	(See Note #3 Above) 10" O.D., 9.5PD, 3B Groove	AP					
	10" O.D., 9.5PD, 4B Groove	AP					
5	Parts for Flexible Coupling Assembly (5F20 & 30 Only)						
6	Motor Flange - Select Correct Size						
	1" Bore (For Old Motor Frame 225)	NA					
	1 1/8" Bore (For Old Motor Frame 154)	AC	5F20-1463	1		1	
	1 1/4" Bore (For Old Motor Frame 284)	AC	5F20-1473	1		1	
7	Flywheel	AC	50M4-1153	1		1	
8	Spicer Beaded Washer	MP	AU51AB-271	18		18	
9	Hex Hd. Capscrew	MP	AA06BS-264	6		6	
10	Hex Nut	AC	AT39AB-271	6		6	
11	Set Screw (Motor)	AC	AE19AS-224	2		2	
12	Disc	AC	50M4-1352	2		2	

FREON CONDENSING UNIT



5F40.60



FREON CONDENSING UNIT

5F

ITEM NO.	PART NAME	LDC	REPLACEMENT PART NUMBER	UNIT USAGE			
				5F			
				20	30	40	60
DRIVE GROUP (CONT'D.)							
13	Flexible Coupling Packages						
	N.E.M.A.		MOTOR SHAFT				
	<u>MOTOR H.P.</u>	<u>FRAME SIZE</u>	<u>DIAMETER</u>				
	7 1/2	284 (Old)	1 1/4	NA	5F40-613		1
	7 1/2, 10	254U, 256U	1 3/8	NA	5F40-603		1 1
	10, 15	324 (Old),					
		326 (Old) & 284U	1 5/8	NA	5F40-623		1 1
	20, 30	286U	1 5/8	NA	5F60-623		1 1
	25, 30	324U, 326U					
		& 364 (Old)	1 7/8	NA	5F60-613		1
	Packages 5F20-847, 5F30-847, 5F40-603, 5F40-613 & 5F40-623						
	Include:						
14	Center Ring		(1) 5F-11238	AC			
15	Disc (Multiple Rings)		(2) 5F-10663	AC			
16	Spacer		(6) 5F-11223	AC			
17	Bevel Washer		(18) 5F-10731	AC			
18	Short Bolt		(6) 5F-10728	AC			
19	Long Bolt		(3) 5F-11198	AC			
20	Lock Nut		(9) AT61AA-172	MP			
NI	Motor Flange - Specify Motor Shaft						
	Dia. as shown above						
NI	Compressor Flange		(1) 5F-11772	NS			
	Packages 5F60-623 and 5F60-613						
	Include:						
14	Center Ring		(1) 5F11241	AC			
15	Disc (Multiple Rings)		(2) 5F-10664	AC			
16	Spacer		(6) 5F-11240	AC			
17	Bevel Washer		(18) 5F-11205	AC			
18	Short Bolt		(6) 5F-10721	AC			
19	Long Bolt		(3) 5F-11206	AC			
20	Lock Nut		(9) AT61AA-202	MP			
NI	Motor Flange - For 1 5/8 Dia. Shaft		(1) 5F-21925	NS			
	- For 1 7/8 Dia. Shaft		(1) 5F-21748	NS			
NI	Compressor Flange		(1) 5F-21853	NS			
CONTROL GROUP							
NI	Oil Gauge 0-200#			AC	KM01BC-200	1	1
21	Pressure Control Bracket - Allen Bradley			NA	5F40-1372	1	
	- Allen Bradley			NA	5F30-1372		1
	- Robertshaw			AC	*5F40-5202		1 1
22	Dual Pressure Control (Carrene 12, 22, 500)						
	Allen Bradley	High Side		AC	HK02HA-012	1	1
		Low Side		AC	HK02HB-012	1	1
	Robertshaw	High Side		AC	*HK02UA-300	1	1 1 1
		Low Side		AC	*HK02UB-050	1	1 1 1
	NOTE: *Bracket 5F40-5202 is required when replacing any old style Pressurestat (Dual or HK04UN-500 Type). When replacing an HK04UN-500 Pressurestat on 5F40 and 60, both the High and Low Sides plus the bracket will have to be replaced. The 5F20 and 30 Compressors will mount the Pressurestats on the Compressor Base.						



FREON CONDENSING UNIT

5F

ITEM NO.	PART NAME	LDC	REPLACEMENT PART NUMBER	UNIT USAGE					
				5F					
				20	30	40	60		
CONTROL GROUP (CONT'D.)									
NI	Enclosure, Robertshaw	AC	HK09UZ-012	1	1				
NI	Parts for Oil Safety Switch Package ("Early Type") For 5F20-933 Package - 110V, 208/230V, 440V, 550V; AC, 50/60HZ and 5F20-943 Package - 230V, DC (Both used with single Compressor, Carrene 12 or 500)								
NI	Adapter - 5/8"-18 x 1/4 I.P.S.		5F20-1311	AC					
NI	Gasket		AU51YA-011	MP					
NI	Flare Nut - Short - 1/4"		DD02CA-051	AC					
NI	Half Union Coupling - 1/4"		DD07DA-051	AC					
23	*Differential Pressure Switch		HK06UC-014	AC					
24	Time Delay Relay		*HN68AD-006	NA					
NI	*Thermal Element		HM71AZ-131	NA					
25	*Transformer (5F20-933 Only)		HT01AC-150	NA					
NI	*Resistor (5F20-943 Only)		HT21AM-180	NA					
	Oil Safety Switch Package ("Latest Type") 110V, 208/220, AC or DC - For Single Compressor - For Duplex Compressor			NA	5F20-212	1	1	1	1
				NA	5H40-287	1	1	1	1
	For use with 440 and 550 Volt a suitable Transformer and Relay will be necessary Includes:								
					ON	ON			
					5F20	5H40			
NI	Adapter		(1) (2) 5F20-1311	AC					
NI	Gasket		(1) (2) AU51YA-011	MP					
NI	Flare Nut 1/4"		(2) (4) DD02CA-051	AC					
NI	Half Union Coupling		(3) (4) DD07DA-051	AC					
26	*Differential Pressure Switch with Time Delay Relay		(1) *(1) HK06UL-012	AC					
27	Differential Pressure Switch - No Relay		(1) HK06UA-012	AC					
	NOTES: *Robertshaw HK06UL-012 may be used as a replacement for the Differential Pressure Switch, Time Delay Relay and the Transformer (or Resistor on DC).								
	**Penn. Switch HK06BA-108 was supplied with some machines using R-12. Replace with HK06UL-012.								
NI	Oil Cooler Package	AP	5F20-547			1	1		
	Includes:								
NI	Oil Cooler		(1) KH52HC-101	AC					
NI	Cooler Bracket		(1) 5F20-4932	NA					
NI	Coupling (Oil Cooler)		(1) DD07DA-051	AC					
NI	Bracket Stud		(2) 5F20-1781	NA					
NI	Lockwasher 3/8"		(2) AU11AR-241	NA					
NI	Hex Nut		(2) AT39AA-241	MP					
NI	Set Screw, Bracket 7/16-14 x 3/8"		(1) AE11AR-254	AC					
NI	Coupling (Bearing Head)		(4) DD07DA-101	NA					



FREON CONDENSING UNIT

5F

ITEM NO.	PART NAME	LDC	REPLACEMENT PART NUMBER	UNIT USAGE			
				5F			
				20	30	40	60

CONTROL GROUP (CONT'D.)

	Electrical Compensated Capacity ("Latest Design") Control-Bevel Gear Type (Accessory) Minn-Honeywell Barber Colman			*NA *NA *NA	5F40-777 5F40-787 5F40-807				1 1 1	1 1 1	
	Each Includes:	ON 5F40									
		777	807	787							
NI	Control Motor	1		1	HF25AA-001 HF12CB-116 HT01AA-120	AC NS NA	<i>*Component Parts are available.</i>				
NI	Transformer	1	1		HT01AA-115	NS					
NI	Relay	1	1		HN61DJ-005	NS					
NI	Bevel Gear Assembly	1	1		5F40-A772	AC					
				1	5F40-A762	NA					
NI	Bevel Gear Assembly	1	1	1	5F40-791	AC					
NI	Special Stud	4	4	4	5F40-4912	NA					
NI	Outer Valve Assembly	1	1	1	5F40-A782	NA					
NI	Support Plate	1	1	1	5F40-2243	NA					
NI	Hex Hd. Screw 1/4"-20 x 1	4	4	3	AA06BR-170	NS					
NI	Mach Screw Nut 1/4"	4	4	3	AT39AB-171	MP					
NI	Plain Washer 1/4"	4	4	3	AU01AB-171	MP					
NI	Lockwasher 1/4"	6	6	5	AU11AS-171	MP					
NI	Flanged Bearing	1	1	1	KT66CX-031	NA					
NI	Hex Hd. Screw 1/4-20 x 3/8	2	2	2	AA06BS-164	NA					
NI	F.H. Socket Screw	4	4	4	AC27FR-166	NA					
NI	Grease Fitting	1	1	1	CW12CB-502	NA					
NI	Cap Screw Gasket 3/8	4	4	4	AU51YA-005	MP					
	Parts for Electrical Compensated Capacity Control-Spur Gear Type ("Early Design") (Motor, Transformer and Relay same as above) Each Includes:										
NI	Spur Gear - 3"P.D. on Minn-Honeywell				5F40-771	NA					
	- 2 1/2"P.D. on Barber Colman				5F40-761	NA					
NI	Spur Gear - 5/8"P.D.				5F40-751	AC					
NI	Support Bracket				5F40-4702	NA					
NI	Set Screw				5F40-3791	NA					
NI	Motor Bracket				5F40-2183	NA					
NI	Control Valve				5F40-A332	AC					

CONDENSER GROUP

28	Condenser Assembly - (Shell & Coil) 5 Ton, 28 5/8" overall x 8 5/16" O.D., 1 3/8" O.D. Hot Gas Inlet					NA	5F20-344		1		
	7 1/2 Ton, 39 5/8" overall x 8 5/16" O.D., 1 3/8 O.D. Hot Gas Inlet					NA	5F30-344			1	1
	Includes:										
29	Liquid Valve			(1)	EP12BH-211	AC					
30	*Flangible Safety Union - 385 PSI			(1)	EB51LR-385	AC					
NI	Purge Cock Assembly			(2)	7F0-132	AC					
	Includes:										
31	Body			(1)	7F0-1452	NS					
32	Stem			(1)	50146	NA					



FREON CONDENSING UNIT

5F

ITEM NO.	PART NAME	LDC	REPLACEMENT PART NUMBER	UNIT USAGE			
				5F			
				20	30	40	60
CONDENSER GROUP (CONT'D.)							
28	Condenser Assembly - (Shell & Coil) ("Early Type" Distinguished by 7" Dia.) 43 1/2" overall x 7" Dia. Includes:						
		NA	**5F20-469				
		NA	5F30-469				
29	Liquid Shut-Off Valve For 5F20 - 5/8 ODS	(1) EN32AA-212	AC				
	For 5F30 - 7/8 ODS	(1) EN07AA-271	AC				
30	Fusible Safety Union	(1) EK41JK-202	AC				
	Purge Cock Assembly	(1) 7F0-132	AC				
33	Valve Gasket	(1) 6D23-1421	MP				
34	Angle Valve	(1) EP23SC-090	AC				
	<i>NOTE: *Condenser Assemblies prior to Serial #4350300 must use the following Safety Device:</i>						
	<i>Fusible Safety Union - Approximately 300 PSI</i>						
NI	For 5F20 & 30	(1) EK41JK-202	AC				
NI	For 5F40 & 60	(1) EK41JK-302	NA				
	<i>**5F20-469 not available - replace with</i>						
	Condenser	(1) 5F20-344	AC				
NI	Support Strap Package	(1) 5F20-A532	AC				
	<i>Includes:</i>						
NI	Support Strap	(2) 5F20-2042	AC				
NI	Strap Liner	(2) 5F20-1682	NS				
	<i>It is necessary to put blocks under the Compressor Base to make this conversion.</i>						
35	Condenser Assembly - (Shell & Tube) 10 Ton, 63" overall x 8 5/8" O.D., 1 3/8" O.D. Hot Gas Inlet		NA	5F40-429		1	1
	15 Ton, 74" overall x 8 5/8" O.D., 1 5/8" O.D. Hot Gas Inlet		NA	5F60-429		1	1
	Includes:	ON					
		5F40 5F60					
36	Liquid Valve 7/8" O.D.	1		EN07AA-271	AC		
	1 1/8" O.D.	1		EN07AA-395	AC		
37	Valve Gasket	1		6D23-1421	MP		
		1		7K4-4522	MP		
38	Nozzle Water Head	1		5F40-1203	AC		
39	Blank Water Head	1		5F40-1213	AC		
40	Water Head Gasket-Front Conn	2		09RA011-1303	AC		
NI	-Rear Plain	1		09RA011-1313	AC		
41	Angle Valve (Water Regulating)	1		EP23LC-090	AC		
42	Angle Valve (Purge)	2		EP23SC-090	AC		
43	*Pressure Relief Valve - 385 PSI	1		EB51LP-121	AC		
NI	Tru Fin Tube	26		99TF501784	AC		
		30		99TF501794	AC		
44	Stud Bolt	12		AR07AA-468	NS		
45	Try Cock Assembly	1		7F0-132	AC		
NI	Screw 5/8-11 x 3 Lg.	8		AA06BR-329	AC		
NI	Nut 5/8-11	8		AT11AA-331	AC		



FREON CONDENSING UNIT

5F

ITEM NO.	PART NAME	LDC	REPLACEMENT PART NUMBER	UNIT USAGE																																																																																													
				5F																																																																																													
				20	30	40	60																																																																																										
CONDENSER GROUP (CONT'D.)																																																																																																	
Condenser Assembly - in 5F40 & 60 Sizes ("Early Type") with Flanged Discharge are replaced by the standard 5F40-429 & 5F60-429 Condenser. Parts on the "Early Type" Condenser are the same as standard except for the following: (Items 47-51)																																																																																																	
47	Discharge Line Flanged Adapter 1 3/8" O.D. Tube 1 5/8" O.D. Tube	NA NS	DK16CA-901 DK16CB-301			1	1																																																																																										
48	Discharge Line Flanged Gasket	AC	55452			1	1																																																																																										
43	Fusible Safety Union (Pressure Relief)	NA	EK41JK-302			1	1																																																																																										
49	Condenser Support	NS	05HY500-253			2	2																																																																																										
50	Condenser Strap	NS NS	5F20-2042 5F40-1662	2	2	4	4																																																																																										
51	Condenser Strap Liner	NA AC	5H40-1692 5H120-1682	4	4	4	4																																																																																										
NOTE: Liners may have to be cut to desired length.																																																																																																	
52	Discharge Line (Not normally stocked) (Select from Combination below)																																																																																																
<table border="1" style="width: 100%; border-collapse: collapse;"> <thead> <tr> <th style="width: 30%;">"Late Units"</th> <th style="width: 10%;">COMPR.</th> <th style="width: 10%;">COND.</th> <th style="width: 50%;">PART NUMBER</th> </tr> </thead> <tbody> <tr> <td rowspan="13">For: Belt Drive Units</td> <td>5F20</td> <td>5F20</td> <td>5F20-1063</td> </tr> <tr> <td>5F20</td> <td>5F30</td> <td>5F20-223</td> </tr> <tr> <td>5F30</td> <td>5F20</td> <td>5F30-113</td> </tr> <tr> <td>5F30</td> <td>5F30</td> <td>5F30-1063</td> </tr> <tr> <td>5F30</td> <td>5F40</td> <td>5F30-1033</td> </tr> <tr> <td>5F40</td> <td>5F30</td> <td>5F40-1033</td> </tr> <tr> <td>5F40</td> <td>5F40</td> <td>5F40-1204</td> </tr> <tr> <td>5F40</td> <td>5F60</td> <td>5F40-284</td> </tr> <tr> <td>5F60</td> <td>5F40</td> <td>5F60-113</td> </tr> <tr> <td>5F60</td> <td>5F60</td> <td>5F60-1063</td> </tr> <tr> <td>5F60</td> <td>5F40</td> <td>5F60-117</td> </tr> <tr> <td rowspan="4">For: Direct Drive Units</td> <td>5F40</td> <td>5F40</td> <td>5F40-1503</td> </tr> <tr> <td>5F40</td> <td>5F60</td> <td>5F40-107</td> </tr> <tr> <td>5F60</td> <td>5F60</td> <td>5F60-1503</td> </tr> <tr> <td>5F60</td> <td>5F40</td> <td>5F60-107</td> </tr> <tr> <td colspan="8">"Early Units"</td> </tr> <tr> <td rowspan="11">For: Belt Drive Units</td> <td>5F20</td> <td>5F20</td> <td>5F20-1433</td> </tr> <tr> <td>5F30</td> <td>5F20</td> <td>5F30-413</td> </tr> <tr> <td>5F30</td> <td>5F30</td> <td>5F30-1433</td> </tr> <tr> <td>5F40</td> <td>5F30</td> <td>5F40-1184</td> </tr> <tr> <td>5F40</td> <td>5F40</td> <td>5F40-594</td> </tr> <tr> <td>5F60</td> <td>5F40</td> <td>5F60-303</td> </tr> <tr> <td>5F40</td> <td>5F30</td> <td>5F40-1423</td> </tr> <tr> <td>5F40</td> <td>5F40</td> <td>5F40-213</td> </tr> <tr> <td>5F60</td> <td>5F60</td> <td>5F60-213</td> </tr> <tr> <td>+5F60</td> <td>5F60</td> <td>5F60-223</td> </tr> </tbody> </table>								"Late Units"	COMPR.	COND.	PART NUMBER	For: Belt Drive Units	5F20	5F20	5F20-1063	5F20	5F30	5F20-223	5F30	5F20	5F30-113	5F30	5F30	5F30-1063	5F30	5F40	5F30-1033	5F40	5F30	5F40-1033	5F40	5F40	5F40-1204	5F40	5F60	5F40-284	5F60	5F40	5F60-113	5F60	5F60	5F60-1063	5F60	5F40	5F60-117	For: Direct Drive Units	5F40	5F40	5F40-1503	5F40	5F60	5F40-107	5F60	5F60	5F60-1503	5F60	5F40	5F60-107	"Early Units"								For: Belt Drive Units	5F20	5F20	5F20-1433	5F30	5F20	5F30-413	5F30	5F30	5F30-1433	5F40	5F30	5F40-1184	5F40	5F40	5F40-594	5F60	5F40	5F60-303	5F40	5F30	5F40-1423	5F40	5F40	5F40-213	5F60	5F60	5F60-213	+5F60	5F60	5F60-223
"Late Units"	COMPR.	COND.	PART NUMBER																																																																																														
For: Belt Drive Units	5F20	5F20	5F20-1063																																																																																														
	5F20	5F30	5F20-223																																																																																														
	5F30	5F20	5F30-113																																																																																														
	5F30	5F30	5F30-1063																																																																																														
	5F30	5F40	5F30-1033																																																																																														
	5F40	5F30	5F40-1033																																																																																														
	5F40	5F40	5F40-1204																																																																																														
	5F40	5F60	5F40-284																																																																																														
	5F60	5F40	5F60-113																																																																																														
	5F60	5F60	5F60-1063																																																																																														
	5F60	5F40	5F60-117																																																																																														
	For: Direct Drive Units	5F40	5F40	5F40-1503																																																																																													
		5F40	5F60	5F40-107																																																																																													
5F60		5F60	5F60-1503																																																																																														
5F60		5F40	5F60-107																																																																																														
"Early Units"																																																																																																	
For: Belt Drive Units	5F20	5F20	5F20-1433																																																																																														
	5F30	5F20	5F30-413																																																																																														
	5F30	5F30	5F30-1433																																																																																														
	5F40	5F30	5F40-1184																																																																																														
	5F40	5F40	5F40-594																																																																																														
	5F60	5F40	5F60-303																																																																																														
	5F40	5F30	5F40-1423																																																																																														
	5F40	5F40	5F40-213																																																																																														
	5F60	5F60	5F60-213																																																																																														
	+5F60	5F60	5F60-223																																																																																														
	+Compressor has 1" Spacer Blocks to accomodate larger motor.																																																																																																



FREON CONDENSING UNIT

5F

ITEM NO.	PART NAME	LDC	REPLACEMENT PART NUMBER	UNIT USAGE			
				5F			
				20	30	40	60
CONDENSER GROUP (CONT'D.)							
NI	Tube Brush (Nylon)		KC21AH-105	As Required			
COMPRESSOR SHUT-OFF VALVE GROUP							
53	Discharge Shut-Off Valve - 7/8 O.D.S. (SSN K201567)	AC	EN07AA-284	1			
	- 7/8 O.D.S. (PSN K201567)	AC	EN07AA-390	1			
	- 1 1/8 O.D.S.	AC	EN07AA-395	1			
	Each Includes:						
NI	Seal Cap (1) EN99ZA-002	AC					
NI	Seal Cap Gasket (1) EN99ZA-102	MP					
NI	Companion Flange (1) EN99ZD-005	NA					
NI	Adapter Gasket (1) EN99ZE-005	NA					
NI	Adapter for EN07AA-390 (1) EN99ZC-027	NA					
	for EN07AA-395 (1) EN99AC-033	NA					
53	Valve - 1 3/8 O.D.S.		EN07EA-039		1	1	
	Includes:						
NI	Seal Cap (1) EN99ZA-002	AC					
NI	Seal Cap Gasket (1) EN99ZA-102	MP					
53	Valve - 1 5/8 O.D.S.		EN13HA-045				1
	Includes:						
NI	Seal Cap (1) EN99ZA-002	AC					
NI	Seal Cap Gasket (1) EN99ZA-102	MP					
55	Adapter (Tail Piece) (1) EN99ZC-045	NS					
56	Companion Flange (1) EN99ZD-010	AC					
57	Adapter Gasket (1) EN99ZE-010	NS					
58	Valve Gasket <i>ø</i> (To be used with EN07AA-284)	MP	ø6D40-1131	1			
		MP	7K4-4522	1			
		MP	5F30-1361		1	1	
		MP	DK36GA-001				1
59	Suction Shut-Off Valve (SSN K201567)	AC	EN07EA-033	1			
	- 1 1/8" O.D.S. (PSN K201567)	AC	EN07EC-341	1			
59	Suction Shut-Off Valve - 1 5/8" O.D.S.		EN07EA-041		1	1	
	Includes:						
NI	Seal Cap (1) EN99ZA-002	AC					
NI	Seal Cap Gasket (1) EN99ZA-102	MP					
60	Suction Shut-Off Valve - 2 1/8" O.D.S.		EM13FC-521				1
	Includes:						
NI	Seal Cap (1) EN99ZA-018	AC					
NI	Seal Cap Gasket (1) EN99ZA-109	AC					
61	Adapter (Tail Piece) (1) EP29VC-540	AC					
62	Companion Flange (1) EP29ZC-560	NA					
63	Adapter Gasket (1) EP29YC-560	AC					
64	Valve Gasket	AC	7K3-4522	1			
		MP	5F30-1361		1	1	
		MP	5H40-1361				1
65	Valve Adapter - 1 1/8" Fitting x 1 3/8" Solder Cup	AC	DE20BA-903	1			
66	Capscrew 1/2-13 x 2 1/4 (Discharge Valve)	MP	AA06BR-296	2			
67	1/2-13 x 2 1/2 (Suction Valve)	MP	AA06BR-297	4			
NI	1/2-13 x 3 (Suction & Discharge Valve)						
	For EN07BA-401	MP	AA06BR-299		8	8	



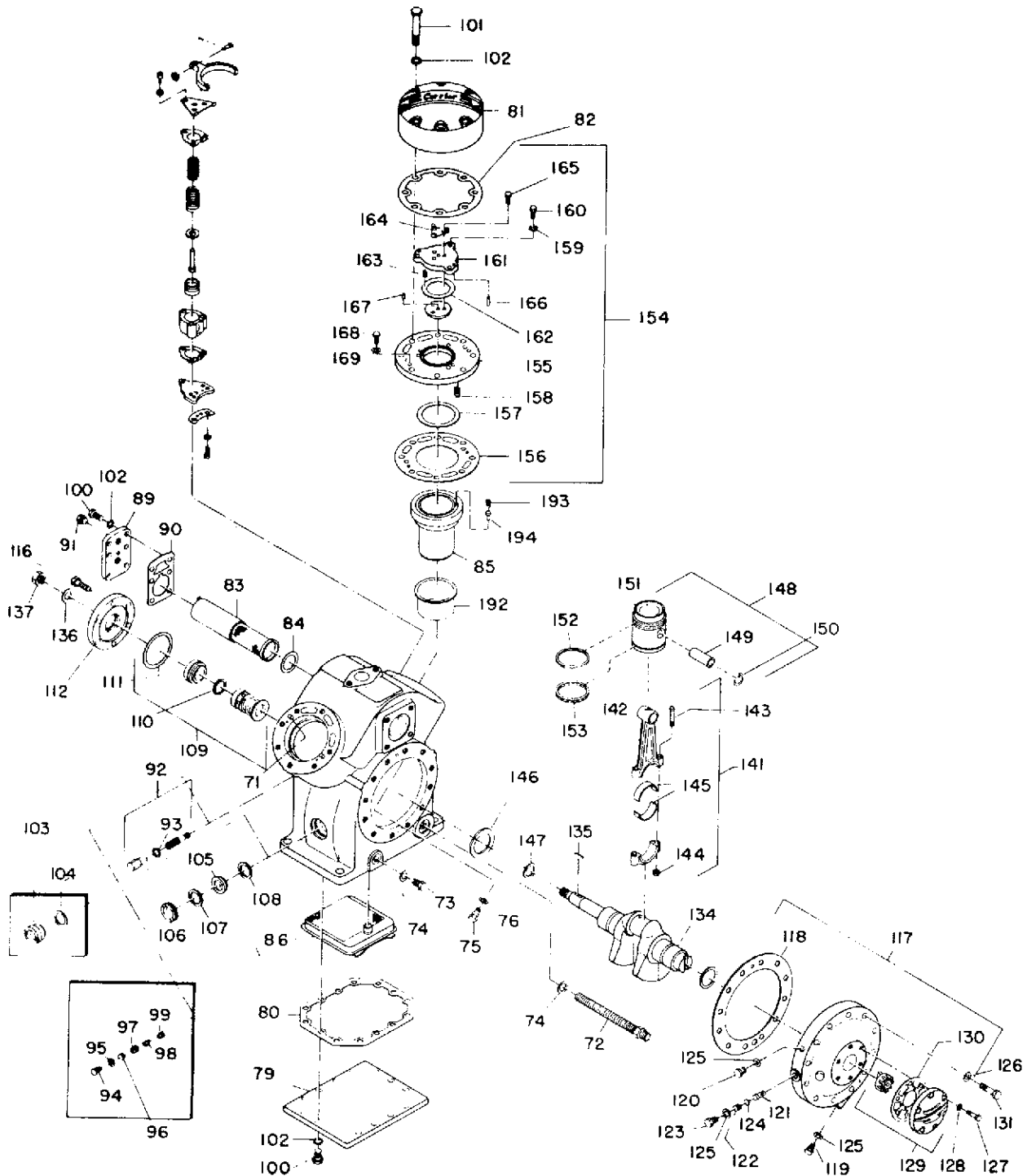
FREON CONDENSING UNIT

5F

ITEM NO.	PART NAME	LDC	REPLACEMENT PART NUMBER	UNIT USAGE			
				5F			
				20	30	40	60
COMPRESSOR SHUT-OFF VALVE GROUP (CONT'D.)							
NI	Capscrew 1/2-13 x 3 (Suction & Discharge Valve) For EN07BA-461 For EN07EA-039 For EN07EA-041 1/2-13 x 3 1/4 (Discharge Valve) 5/8-11 x 2 1/2 (Suction Valve)	MP MP MP NS NA	AA06BR-299 AA06BR-297 AA06BR-297 AA06BR-298 AA06BR-327		8 8 8	8 8 8	4 4
MISCELLANEOUS GROUP							
68	Compressor Base Assembly For use with 5F20 & 30 Condenser Belt Drive For use with 5F40 & 60 Condenser Belt Drive For use with 5H40 Condenser Belt Drive Direct Drive Direct Drive when used with 5H40 Condenser **"Early Units" Belt Drive Direct Drive <i>NOTE: "Early Units" were used with the old N.E.M.A. Motor Frame.</i>	NS NS NS NS NS NS NS NS	5F20-238 5F40-408 5H40-598 5F40-398 5H40-588 5F20-569 5F40-A299	1 1 1 1 1	1 1 1 1	1 1 1 1	1 1 1 1
NI	Compressor Shim (Laminated) 3 1/8 x 2 1/16 x 1/32 Thk. (C.R.S.) 3 1/8 x 2 1/16 x 1/32 Thk.	NS AC	5F40-1572 5F40-1582	As Required	As Required		
NI	Motor Shim (Laminated) 3 3/8 x 3 1/2 x 1/32 Thick (C.R.S.) 3 3/8 x 3 1/2 x 1/32 Thick	AC AC	5F40-1702 5F40-1712	As Required	As Required		
NI	Motor Rail (Belt Drive Units)	NA	5F40-1843			2	2
69	Water Regulating Valves	CD					
NI	Muffler 1 1/8 O.D.F. 1 3/8 O.D.F. or 1 5/8 O.D.M.	NA NA	5F20-683 5F40-683	1	1	1	1
	Compressor Oil Suitable for use with Carrene 12, 22, 500. Used with Hermetic Compressors with Evaporator Temperature above 70°F. Used with Reciprocating Compressors with Evaporator Temperature above 120°F. Viscosity @ 100°F. SSU -150 ± 10 @ 200°F. SSU -40 - 45 Suitable for use with Reciprocating Compressor using Carrene 12 or 22 with Evaporator Temperature above 40°F. or Centrifugal Compressors using C12 with Evaporator Temperature above 40°F., or with Centrifugal Compressor using R114 with Evaporator Temperature above -20°F. Viscosity @ 100°F. SSU -300 ± 20 @ 210°F. SSU -45 - 50	CD		As Required			

FREON CONDENSING UNIT

5F



5F20,30



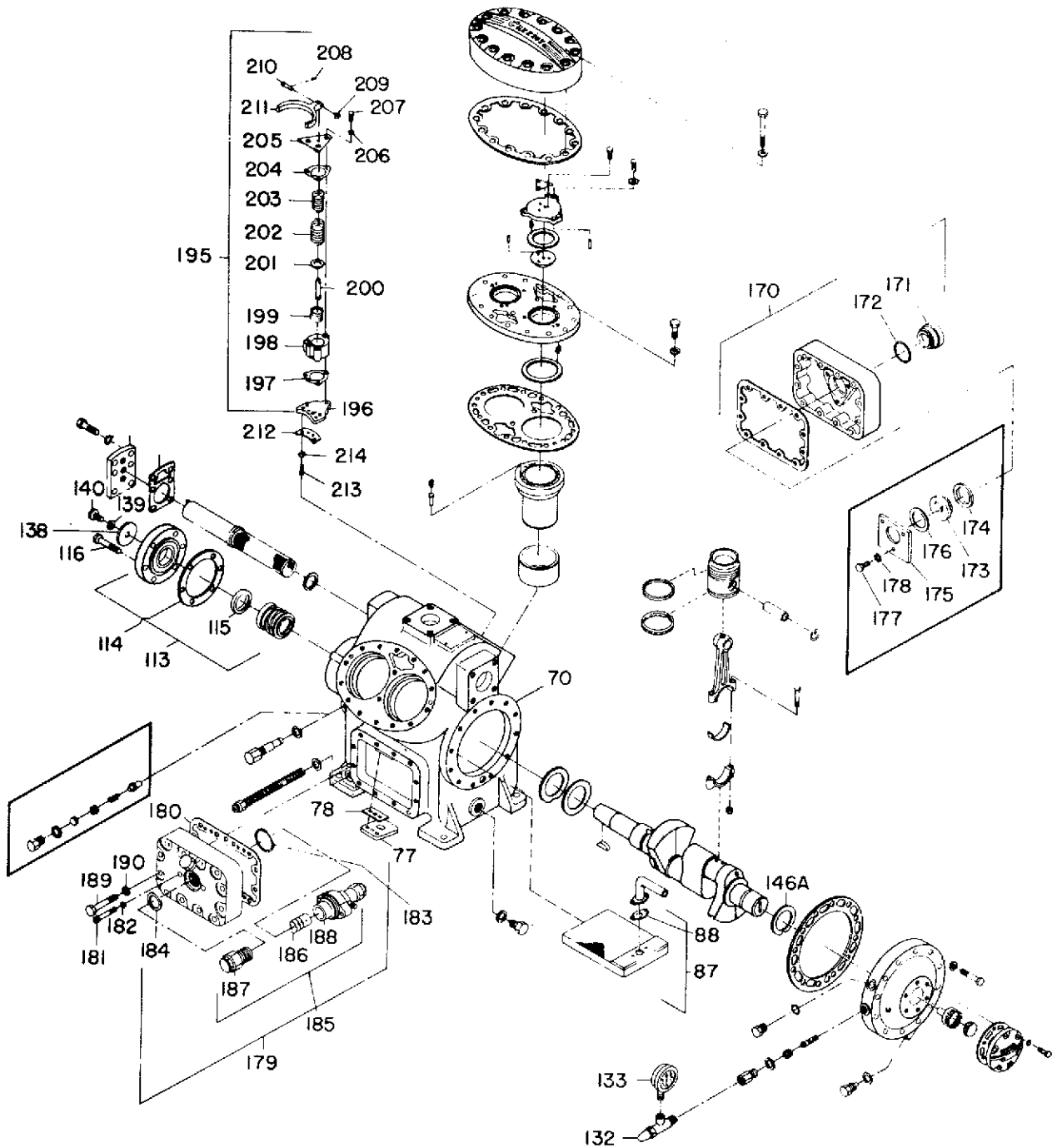
FREON CONDENSING UNIT

5F

ITEM NO.	PART NAME	LDC	REPLACEMENT PART NUMBER	UNIT USAGE			
				5F			
				20	30	40	60
COMPRESSOR BODY GROUP							
NI	Gasket Set	AC	5F20660001	1	1		
		AC	5F60660001			1	1
70	Crankcase Assembly - (For use without Unloaders)	NA	5F20-364	1			
		NA	5F30-364		1		
		NA	5F40-364			1	
	Each Includes:						
NI	Main Bearing, Seal End (on 5F20-364) (1) 5F20-1012	AC					
	(on 5F30-364) (1) 5F30-1012	AC					
	(on 5F40-364) (1) 5F40-1012	AC					
71	Dowel Pin (Valve Plate) 5/16" x 5/8"						
	(on 5F20-364 & 5F40-364) (4) AX11AR-197	MP					
	(on 5F30-364) (6) AX11AR-197	MP					
NI	Dowel Pin (Bearing Washer) 3/16" x 3/8"						
	(1) AX35HR-120	PT					
72	Heater Casing (Start Ser. #420001) (1) 5F20-3742						
73	Magnetic Plug (1) CA99AA-101	AC					
74	Gasket for Magnetic Plug & Heater Casing (2) AU51YA-011	MP					
70	Crankcase Assembly - (For use with Unloaders)	NA	5F20-384	1			
		NA	*5F30-384		1		
		NA	5F40-384			1	
		NA	5F60-B399				1
	Each Includes:						
NI	Dowel Pin (Bearing Washer) 3/16" x 3/8"						
	(1) AX35HR-120	MP					
72	Heater Casing (Start Ser. #420001) (1) 5F20-3742	AC					
73	By-Pass Plug (1) 5H40-1141	AC					
74	Gasket for By-Pass Plug & Heater Casing (1) AU51YA-011	MP					
	<i>NOTE: 5F30-384 is equipped for 1 or 2 steps unloading.</i>						
	5F20-384 Also Includes:						
NI	Main Bearing, Seal End (1) 5F20-1012						
71	Dowel Pin, Valve Plate (4) AX11AR-197	MP					
NI	Unloader Oil Tube (1) 5F20-1173	NA					
NI	Tube Ferrule 3/16 (2) 5H40-1531	AC					
	5F30-384 Also Includes:						
NI	Main Bearing, Seal End (1) 5F30-1012	AC					
71	Dowel Pin, Valve Plate (6) AX11AR-197	MP					
NI	Unloader Oil Tube (1) 5F30-333	NS					
NI	Tube Ferrule 3/16 (2) 5H40-1531	AC					
NI	Tube Ferrule 1/4 (1) 5H40-1541	AC					
	5F40-384 Also Includes:						
NI	Main Bearing, Seal End (1) 5F40-1012	AC					
71	Dowel Pin, Valve Plate (4) AX11AR-197	MP					
NI	Unloader Oil Supply Tube To Cylinder #1L (1) 5F40-1153	AC					
NI	To Cylinder #1R (1) 5F40-1173	AC					
NI	To Cylinder #2L (1) 5F40-1123	AC					
NI	Oil Supply Tube (1) 5F40-1233	AC					
NI	Tube Ferrule 3/16 (6) 5H40-1531	AC					
NI	Tube Ferrule 1/4 (2) 5H40-1541	AC					

FREON CONDENSING UNIT

5F



5F40,60



FREON CONDENSING UNIT

5F

ITEM NO.	PART NAME	LDC	REPLACEMENT PART NUMBER	UNIT USAGE				
				5F				
				20	30	40	60	
COMPRESSOR BODY GROUP (CONT'D.)								
NI	5F60-B399 Also Includes:							
NI	Main Bearing, Seal End	(1)	5F40-1012	AC				
71	Dowel Pin, Valve Plate	(6)	AX11AR-197	MP				
NI	Unloader Oil Supply Tube							
NI	To Cylinder #1L	(1)	5F60-1153	AC				
NI	To Cylinder #1R	(1)	5F60-1173	AC				
NI	To Cylinder #2L	(1)	5F60-1123	AC				
NI	To Cylinder #2R	(1)	5F60-1163	AC				
NI	Oil Supply Tube	(1)	5F60-1233	AC				
NI	Tube Ferrule 3/16	(8)	5H40-1531	AC				
NI	Tube Ferrule 1/4	(2)	5H40-1541	AC				
NI	Crankcase Heater Element	115V, 100W (3.12 Lg.)			HT31AR-100	1	1	1
		230V, 100W (3.12 Lg.)			HT31AR-130	1	1	1
		120V, 100W (8.25 Lg.)		AC	HT31AZ-120	1	1	1
		240V, 100W (8.25 Lg.)		AC	HT31AZ-240	1	1	1
NI	Crankcase Heater Relay	115V, 60HZ		AC	HN61AJ-101	1	1	1
		230V, 60HZ		AC	HN61AJ-108	1	1	1
		115V, 50HZ		AC	HN61AJ-101	1	1	1
		230V, 50HZ		AC	HN61AJ-108	1	1	1
NI	Heater Coupling			AC	HW25FA-005	1	1	1
NI	Oil Return Check Valve Package			AC	5F20-A792	2	2	
	Includes:							
75	Check Valve	(1)		NSS				
76	Check Valve Lock Washer	(1)	AU27AR-271	MP				
NI	Oil Return Check Valve Package			AC	5H40-932		2	2
	Includes:							
77	Check Valve	(1)		NSS				
78	Check Valve Gasket	(1)	5H40-1171	PT				
79	Bottom Plate			AC	5F20-1133	1	1	
80	Bottom Plate Gasket			AC	5F20-1813	1	1	
81	Cylinder Head			AC	5F20-2263	2	3	
				AC	5F60-1004			2
								3
82	Cylinder Head Gasket			MP	5F20-1093	2	3	
				MP	5F40-1093			2
								3
NI	Water Cooled Cylinder Head Package (Obtain from Fin. Goods)			NA	5F20-172	1		
				NA	5F30-172		1	
	Includes:							
		REQ'D. ON						
		5F20	5F30					
NI	Cool Water Tube Assembly	1	5F20-573	NSS				
	3/8 O.D.		1 5F30-573	AC				
			1 5F30-A302	AC				
NI	Cylinder Head	2	3 5F20-1004	AC				
NI	Cylinder Head Gasket	2	3 5F20-1093	MP				
NI	Cylinder Head Cover	2	3 5F20-1434	AC				
NI	Cylinder Head Cover Gasket	2	3 5F20-1703	AC				
NI	Hex Hd. Cap Screw 3/8" x 1"	16	24 AA06BR-230	PT				
NI	Hex Hd. Cap Screw 3/8 x 3 1/2"	16	24 AA06BR-241	MP				
NI	Capscrew Gasket	16	24 AU51YA-005	PT				
NI	Dowel Pin	2	3 AX11AR-062	MP				
NI	Half Union Elbow	2	2 DD10CA-208	AC				
NI	Half Union Coupling		2 DD07DA-208	AC				



FREON CONDENSING UNIT

5F

ITEM NO.	PART NAME	LDC	REPLACEMENT PART NUMBER	UNIT USAGE			
				5F			
				20	30	40	60
COMPRESSOR BODY GROUP (CONT'D.)							
NI	Water Cooled Cylinder Head Package (Obtain from Fin. Includes: REQ'D. ON Goods)	NA NA	5F40-172 5F60-172				1 1
NI	Cool Water Tube Assembly 5/8 O.D.			1			
NI				1			
NI				1			
NI				1			
NI	Cylinder Head			2	3		
NI	Cylinder Head Gasket			2	3		
NI	Cylinder Head Cover			2	3		
NI	Cylinder Head Cover Gasket			2	3		
NI	Hex Hd. Capscrew 5/16 x 1"			28	42		
NI	Hex Hd. Capscrew 3/8 x 3 1/2"			28	42		
NI	Capscrew Gasket			28	42		
NI	Half Union Elbow			1	4		
NI	Half Union Coupling			1			
83	Suction Strainer Assembly	AC AC AC AC	5F20-132 5F30-132 5F40-132 5F60-132		1		1 1 1 1
84	Suction Strainer Gasket	MP MP	5F30-1831 5F60-1831			1	2
NI	Suction Filter Package Includes:	AC	5F40-A352				1
NI	Felt Filter						(1) 5F40-3792
NI	Suction Filter Package Includes:	AC	5F60-A352				1
NI	Felt Filter						(2) 5F60-3792
85	Cylinder Sleeves with Holes (Used in place of Sleeve without Unloader Pin Holes)	AC	5F30-1003	2	3	4	6
86	Oil Filter Screen Assembly	AC	5F20-2653	1	1		
87	Oil Filter Screen Package Includes:	AC	5F40-237				1 1
88	Oil Filter Screen Gasket						(2) 5H40-1371
89	Manifold Cover Plate	AC NS	5F20-1052 5F40-1052	1			1
90	Manifold Cover Gasket	AC	5F20-1032	1			1
91	Hex Head Pipe Plug - 1/4" (High & Low Pressure Connection)	AC	DD22DA-051	2	2		
NI	Suction Manifold	AC	5F60-1094				1
NI	Suction Manifold Gasket	AC	5F60-1681				2
92	Non-Adjustable Oil Regulating Valve Package Starting Serial #94001	AC	5H40-962	1	1	1	1
93	Includes: Gasket	MP					(1) AU51YA-011



FREON CONDENSING UNIT

5F

ITEM NO.	PART NAME	LDC	REPLACEMENT PART NUMBER	UNIT USAGE			
				20	30	40	60
COMPRESSOR BODY GROUP (CONT'D.)							
	*Parts for Adjustable Oil By-Pass Valve						
94	Oil By-Pass Plug	AC	5H40-1141				
95	Oil By-Pass Plug Gasket	MP	AU51YA-011				
96	Oil By-Pass Lock Screw 5/8"-18 x 5/16"	MP	AF20AA-313				
97	Oil By-Pass Adjusting Screw	AC	5H40-1121				
98	Oil By-Pass Spring	AC	7K3-4182				
99	Oil By-Pass Valve	AC	5H40-1111				
100	Capscrew 3/8"-16 x 1" (Bottom Plate, Manifold Cover)	MP	AA06BR-230	20	14		6
101	Capscrew 3/8"-16 x 3" (Cylinder Head, Suction Manifold)	MP	AA06BR-239	16	24	28	50
102	Capscrew Gasket 3/8"	MP	AU51YA-008	36	38	34	50
NI	Safety Relief Valve (Under L. H. Cylinder Head)	AC	EB51FN-272				1
NI	Gasket, Safety Relief Valve	AC	6G65-1251				1
NI	Sight Glass Package (New Style)	AC	5F20-152	1	1		
	Includes:						
103	Sight Glass Assembly (1)						
104	Sight Glass Gasket (1) 5F20-1631	MP					
	The above sight glass package replaced the old style which consisted of:						
105	Sight Glass (1) 5F20-781	AC					
106	Sight Glass Gland (1)						
107	Sight Glass Gasket, Inner (1) 5F20-1011	MP					
108	Sight Glass Gasket, Outer (1) 5F20-1621	NA					
NOTE: *The non-adjusting Valve is a replacement for the adjustable Oil By-Pass Valve parts on 5F30 & 40 & 60. It can only be used on 5F20 Units originally equipped with non-adjustable Valve.							

SEAL END GROUP

109	Shaft Seal - Rotary Sleeve Type (PSN K201567)	AC	5F20-676	1	1		
	Includes:						
110	Carbon Ring (1) 5F-D-1000-49	NSS					
111	Cover Plate Gasket (1) 7F3-0112	MP					
112	Cover Plate (1) 5F20-4942	AC					
109	Shaft Seal - Rotary Sleeve Type (SSN K201567)	AC	05HG660006	1	1		
	Includes:						
110	Carbon Ring (1) 5F-D-1000-49	NSS					
111	Cover Plate Gasket (1) 5F36-1032	AC					
112	Cover Plate (1) 5F20-A832	AC					
113	Shaft Seal - Rotary Sleeve Type	AC	5F40-276			1	1
	Includes:						
114	Cover Plate Gasket (1) 5F40-4512	AC					
115	*Carbon Washer (1) 5F-D-1500-971V	AC					
	Cover Plate with Integral Seal Seat (1)	NSS					
116	Capscrew (Shaft Seal Cover) 3/8" - 16 x	MP	AA06BR-230	6	6		
		MP	AA06BR-232			8	8
NOTES: *Replace only rings damaged in shipping or installation. Not recommended if seals have been in operation. For replacing stationary Bellows Type seals, use (1) Seal Package 5F20-676.							



FREON CONDENSING UNIT

5F

ITEM NO.	PART NAME	LDC	REPLACEMENT PART NUMBER	UNIT USAGE			
				20	30	40	60
PUMP END GROUP							
117	Bearing Head & Oil Pump Assembly (Drilled for Oil Cooler Application)	AC AC AC	+5F20-677 ++5F30-677 ++5F40-677	1	1	1	1
	Each Includes:						
118	Bearing Head Gasket	MP	(1) 5F20-1113				
NI	Main Bearing, Pump End (5F20 Only)	AC	(1) 5F20-1022				
NI	(5F30,40,60)	AC	(1) 5F40-1022				
119	Magnetic Plug	AC	(1) CA99AA-101				
120	Oil, By-Pass Plug	AC	(1) 5H40-1141				
121	Control Strainer	AC	(1) 5H40-1971				
122	Hollow Lock Screw	MP	(1) AF20AA-313				
123	Modulating Valve Adapter	AC	(1) 5F20-1311				
124	Orifice Disc, 5F20,30 Only	AC	(2) 5H40-1981				
125	Capscrew Gasket 5/8	MP	(3) AU51YA-011				
126	Capscrew Gasket 3/8 (Brg. Hd.)	MP	(12) AU51YA-005				
127	Hex Hd. Capscrew 1/4-28 x 3/4 (Oil Pump Cover)	MP	(6) AB06BR-168				
128	Capscrew Gasket 1/4"	MP	(6) AU51YA-001				
NI	Dowel Pin (Bearing Washer)	MP	(1) AX35HR-120				
129	Oil Pump Package - Matched Parts	AC	(1) 5F20-A272				
	Includes:						
NI	Cover, Idler, Rotor & Bushing						
130	Oil Pump Cover Gasket	AC	(1) 6F25-1031				
118	Bearing Head Gasket	MP	(1) 5F20-1113				
131	Hex Head Capscrew 3/8-16" x 1 3/4" (Brg. Hd. Cover)	MP	AA06BR-234	12	12	12	12
NI	Capacity Control Valve - For Carrene 12	AC	EB02AD-002	1	1		
	- For Carrene 22	AC	EB02AD-003	1			
NI	Flexible Hose (Capacity Control Valve)	AC	KA73RR-025	1			
132	Angle Valve - 1/4" x 1/4" Prior Ser. #D707060	AC	EP23LC-090			2	2
	Shipping Valve Start Ser. #D707060	AC	06DA401373			2	2
133	Oil Gauge Prior Ser. #D707060	AC	KM01BC-200			2	2
	Cap (Shipping Valve) Start Ser. #D707060	AC	06DA501892			2	2
	NOTES: +Available with .010 and .020 Undersize Bearings on special order.						
	++Interchangeable with Early Type which were used on units Prior to Serial #040001 on 5F40 and #030063 on 5F60.						
	For Early Type Units Use:						
	Bearing Head Cover Gasket	MP	5F20-1113			1	1
	Oil Pump Cover Gasket .006" Thick	MP	5F40-1211			1	1
	Capscrew - 3/8"-16 x 2 1/4" (Bearing Hd. Cover)	MP	AA06BR-236			12	12
	Capscrew Gasket - 3/8"	MP	AU51YA-005			12	12
CRANKSHAFT AND PISTON GROUP							
134	Crankshaft	AC AC	05HG660004 05HG660005	1	1		
134	Crankshaft Assembly	AC AC	5F40-114 5F60-114			1	1



FREON CONDENSING UNIT

5F

ITEM NO.	PART NAME	LDC	REPLACEMENT PART NUMBER	UNIT USAGE			
				5F			
				20	30	40	60
CRANKSHAFT AND PISTON GROUP (CONT'D.)							
135	Woodruff Key #13-3/16" x 1" (For Units PSN C201894) #21 x 1/4 x 1 1/4" (For Units SSN C201894)	MP AC MP	AW21FD-722 5F20-5232 AW21FD-735	1 1	1 1		1 1
136	Plate Washer (Flywheel)	MP	AU02AA-361	2	2		
137	Lock Nut 3/4"-16	MP	AT61AA-362	1	1		
138	Flywheel Retaining Washer	AC	5F40-1401			1	1
139	Flywheel Lockwasher	MP	AU11AR-241			1	1
140	Flywheel Capscrew 3/8-24 x 7/8"	MP	AB06BR-229			1	1
141	Connecting Rod Package Includes:	AC	5F20-103	2	3	4	6
142	Connecting Rod	(1) NSS	5F20-1293				
143	Connecting Rod Bolt	(2) AC	5F20-1041				
144	Connecting Rod Nut	(2) MP	AT61AA-202				
	Piston Pin Bushing	(1) NSS	5F20-1031				
	Connecting Rod Bearing Package Includes:	AC	5F20-451	1	2	2	3
145	Connecting Rod Bearing Half	(4)	5F20-1002				
146	Bearing Washer (Bronze)	AC	5F20-1741	2	2	1	1
146A		AC	5F40-1751			1	1
147	Seal End Thrust Washer (Steel)	AC AC	5F20-1761 5F40-1761	1	1		1 1
148	Piston and Pin Package (Unassembled) Includes:	AC	5F20-482	2	3	4	6
149	Piston Pin	(1) AC	5F20-1051				
150	Piston Pin Lock Ring	(2) MP	5F20-3521				
151	Piston	(1) NSS	5F20-1023				
152	#Piston Rings - Compression (See Note Below)	NSS	5F20-1071	4	6	8	12
	- Oil	NSS	5F20-1091	4	6	8	12
	<i>NOTE: #Available in Packages only - order 5F20-481 Which Includes: Compression Rings (8) 5F20-1071 Oil Rings (8) 5F20-1091 Order sufficient packages to meet requirement in the unit usage column.</i>	AC					

UNDERSIZE CRANKSHAFT AND BEARING GROUP

NI	.010 Undersize Crankshaft and Bearing Package	NA NA	5F20-544 5F30-544	1			1
	Each Includes:						
		ON 5F20	ON 5F30				
NI	*Crankshaft	(1)	(1)				
NI	∅Connecting Rod Bearing	(4) 5F20-3422	(6) 5F20-3422				
NI	Seal End Main Bearing	(1) 5F20-3442	(1) 5F30-3442				
NI	Pump End Main Bearing	(1) 5F20-3462	(1) 5F40-3462				



FREON CONDENSING UNIT

5F

ITEM NO.	PART NAME	LDC	REPLACEMENT PART NUMBER	UNIT USAGE			
				5F			
				20	30	40	60
UNDERSIZE CRANKSHAFT AND BEARING GROUP (CONT'D.)							
NI	.010 Undersize Crankshaft and Bearing Package	NA	5F40-544				1
	Each Includes:		5F60-544				1
	ON 5F40						
	ON 5F60						
NI	*Crankshaft (1)						
NI	∅Connecting Rod Bearing (4)						
NI	Seal End Main Bearing (1)						
NI	Pump End Main Bearing (1)						
NI	.020 Undersize Crankshaft and Bearing Package	NA	5F20-554		1		
	Each Includes:		5F30-554			1	
	ON 5F20						
	ON 5F30						
NI	+Crankshaft (1)						
NI	∅∅Connecting Rod Brg. ∅(4)						
NI	Seal End Main Bearing (1)						
NI	Pump End Main Bearing (1)						
NI	.020 Undersize Crankshaft and Bearing Package	NA	5F40-554				1
	Each Includes:		5F60-554				1
	ON 5F40						
	ON 5F60						
NI	+Crankshaft (1)						
NI	∅∅Connecting Rod Brg. (8)						
NI	Seal End Main Bearing (1)						
NI	Pump End Main Bearing (1)						
<p>NOTE: ∅Available in packages only. For .010" Undersize, order 5F20-461 which includes: Bearings (4) 5F20-3422</p> <p>∅∅For .020" Undersize, order 5F20-471 which includes: Bearings (4) 5F20-3432</p> <p>*.010" Undersize identified by "A" stamped on Crankshaft.</p> <p>+ .020" Undersize identified by "B" stamped on Crankshaft.</p>							

VALVE PLATE GROUP

ITEM NO.	PART NAME	LDC	REPLACEMENT PART NUMBER	UNIT USAGE			
				5F			
				20	30	40	60
154	Valve Plate Package		5F20-120		2	3	
	Includes:		5F40-120				2 3
	REQ'D. ON						
	5F20, 30						
	5F40, 60						
155	Valve Plate	NSS					
156	Valve Plate Gasket (1)	MP	5F20-1083				
		MP	(1) 5F40-1083				
83	Cylinder Head Gasket (1)	MP	5F20-1093				
		MP	(1) 5F40-1093				
157	Suction Valve Disc (1)	AC	5F20-1142				
158	Suction Valve Spring (6)	MP	(2) 5F20-1142				
159	Guide Lock Washer (3)	MP	(12) 5F20-1791				
NI	Suction Valve Clip (3)	MP	(6) 5F20-1481				
	(For Assembly Only) (2)	AC	(4) 5F20-2061				
160	Capscrew 1/4"-28 x 1" (Guide to Valve Plate) (3)	MP	(6) AB06BR-170				
NI	Discharge Valve Guide Assy (1)	AC	(2) 5F20-112				
	Includes:						
	Inner Seat						
161	Discharge Valve Guide (1)	AC	5F20-1322				
162	Discharge Valve (1)	AC	5F20-1132				



FREON CONDENSING UNIT

5F

ITEM NO.	PART NAME	LDC	REPLACEMENT PART NUMBER	UNIT USAGE			
				5F			
				20	30	40	60
VALVE PLATE GROUP (CONT'D.)							
154	Valve Plate Package (Cont'd.) Includes:						
				REQ'D. ON			
				<u>5F20,30</u> <u>5F40,60</u>			
163	Discharge Valve Spring			(6)	(6)	5F20-1801	MP
164	Seal Lock Plate			(1)	(1)	5F20-1201	AC
165	Capscrew 1/4-28 x 1" (Lockplate to Guide)			(3)	(3)	AB06BR-170	MP
166	Dowel Pin 3/16 x 3/4 (Guide)			(2)	(2)	AX11AR-128	MP
167	Dowel Pin (Guide)			(1)	(1)	AX11AR-162	MP
168	Capscrew 1/4"-28 x 7/8" (Valve Plate to Crankcase)	MP	AB06BR-169				
	3/8"-16 x 1"	MP	AA06BR-230				
							4 6
169	Capscrew Gasket 3/8"	MP	AU51YA-005				
							4 6
HANDHOLE COVER GROUP							
170	Handhole Cover and Sight Glass Assembly (Plain Cover) (For Interconnection)	AC NA	5F40-102 5F40-703				1 1 1 1
	Each Includes:						
NI	Sight Glass Package			(1)		5F20-152	AC
	Includes:						
171	Sight Glass Assembly			(1)		5F20-781	AC
172	Sight Glass Gasket			(1)		5F20-1631	MP
	<i>NOTE: On Units prior to Serial #1438313 on 5F40, and #1438345 on 5F60, the following Old Style Sight Glass was used:</i>						
173	Sight Glass			(1)		5H40-1001	AC
174	Sight Glass Gasket, Inner			(1)		5H40-1011	AC
175	Sight Glass Gland			(1)		5H40-1021	AC
176	Sight Glass Gasket, Outer			(1)		5H40-1621	MP
177	Capscrew 5/16"-18 x 5/8			(3)		AA06BR-199	MP
178	Everlock Washer 5/16			(3)		AU27AR-201	MP
179	Handhole Cover and Control Valve Assembly		5F40-A164				1 1
	Includes:						
180	Handhole Cover Gasket			(1)		5F40-1042	MP
NI	Hydraulic Relay			(1)			NSS
181	Soc. Hd. Capscrew 5/16-24 x 7/8"			(2)		AB44AA-704	AC
182	Capscrew Gasket 5/16			(2)		AU51YA-004	MP
NI	Control Valve Assembly Package			(1)		5F40-721	AC
	Includes:						
NI	11 lb. Spring, Carrene 22			(1)		EB39CZ-001	AC
183	Valve Gasket, Inner			(1)		5H40-2001	MP
184	Valve Gasket, Outer			(1)		5H40-1411	MP
185	Control Valve Assembly			(1)		5F40-193	NSS
	Includes:						
186	7 lb. Spring, Carrene			(1)		5F-88206	AC
187	External Valve Assembly			(1)		5F-88213	AC
188	Valve Body with Bellows			(1)		05HG660014	AC
189	Capscrew (Handhole Cover) 3/8-16 x 2 1/4"	MP	AA06BR-236				24 24
190	Capscrew Gasket - 3/8	MP	AU51YA-005				24 24
191	Handhole Cover Gasket (For Handhole with Sight Glass)	AC	5F40-1042				1 1



FREON CONDENSING UNIT

5F

ITEM NO.	PART NAME	LDC	REPLACEMENT PART NUMBER	UNIT USAGE			
				5F			
				20	30	40	60
HANDHOLE COVER GROUP (CONT'D.)							
NI	Lockwasher - #10	NA	AU11AS-151			2	2
NI	Hex Nut #10-24	NS	AT39AA-131			2	2
NI	Pressure Control Tube Clip	AC	5F20-1501			2	2
192	Unloader Sleeve	AC	5F20-1752	1	2	3	4
193	Unloader Lifter Spring	NSS	6G45-1151	6	12	18	24
	NOTE: Not Available in packages only - Order 6G45-672 Which Includes: Valve Lifter Springs (8) 6G45-1151 Order sufficient packages to meet requirements listed in unit usage column.	AC					
194	Valve Lifter Pin	AC	6G45-1191	6	12	18	24
195	Unloader Power Element Assembly Includes:	AC	*5F20-153	1	2	3	4
196	Unloader Cylinder Bracket (1)	AC	5F20-1762				
197	Unloader Cylinder Gasket (Bottom) (1)	MP	5F20-1711				
198	Unloader Cylinder (1)	AC	5F20-1772				
199	Unloader Piston (1)	AC	5F20-1782				
200	Unloader Piston Rod (1)	AC	5F20-1731				
201	Unloader Spring Retaining Washer (1)	MP	5F20-1811				
202	Unloader Spring (5F20-173 Only) 2"Lg. (1)	AC	5F20-1822				
203	Unloader Spring 1 13/16" Lg. (1)	AC	5F20-1802				
204	Unloader Cylinder Gasket (Top) (1)	MP	5F20-1701				
205	Cylinder Cover Plate Assembly (1)	AC	5F20-242				
206	Lockwasher 1/4" (3)	MP	AU61ML-171				
207	Socket Hd. Capscrew 1/4"-28 x 1 3/4" (3)	NS	AB44AA-174				
208	Cotter Pin 1/16" x 3/8" (1)	MP	AX01AA-003				
209	Plate Washer (1)	MP	5F20-1301				
210	Clevis Pin (1)	AC	5F20-2751				
211	Unloader Fork (1)	AC	5F20-5352				
NI	Unloader Spring-Inner(5F20-163 Only) (1)	AC	5F20-1812				
212	Unloader Bracket Gasket	MP	5F20-1451	1	2	3	4
213	Socket Head Capscrew 1/4"-28 x 1" (Unloader Assembly to Crankcase)	MP	AB44AA-170	2	4	6	8
214	Capscrew Lockwasher - 1/4"	MP	AU61ML-171	2	3	6	8
	NOTES: For Unloader Power Element Assembly 5F20-163, (Intermediate type), use 5F20-153 and add Inner Spring 5F20-1812 which is available separately. Unloader Spring (1) 5F20-1812 Unloader Spring (1) 5F20-1822 * The 5F20-153 Power Element can be converted to the 5F20-173 by adding Spring 5F20-1822 which must be purchased separately 5F20-153 is Soft Type 5F20-173 is Stiff Type						



ORDERING INSTRUCTIONS

- A. All orders and inquiries should include the complete model and serial number of the unit on which the parts are to be used, and the part number and description of each part.
- B. Dealers should forward orders to their Carrier Distributor.

GENERAL NOTES

1. Casing parts and panels are not normally stocked, but are available upon request while in production. Requests for casing parts and panels, for units no longer in production, must be cleared for availability prior to submitting an order.
Certain "sheet metal" parts are omitted in the interest of simplicity as orders for them are so infrequent that a simple description of the part, plus the model and serial number of the unit, will be acceptable.
2. Complete "Accessory Packages" or "F.I.O.P.'s" (Factory-Installed Option Plan) are not normally stocked or supplied by the Parts Center. (Refer to "Master Price Pages" and order from: Carrier Air Conditioning Co., Order Dept.)
Accessory Packages and F.I.O.P.'s are listed in this catalog only for reference and to assist in the selection and ordering of components.
3. The replacement parts listed in this catalog are "Carrier Specified Parts" and, as a result of "standardization," may not be identical to the original part furnished on the equipment.
4. Letter designations (appearing in the LDC column preceding the part number column) are used throughout this catalog to represent the classification of those parts. These letter designations are listed below for ease of interpretation and identification. LDC designation in effect when original catalog is issued. Contact your Order Correspondent for latest parts availability.

- AC — Available Component
 - AP — Accessory Package
 - CD — Contact your authorized CAC Distributor for procurement information.
 - FIOP — Factory-Installed Option Plan
 - FF — Field Fabricate
 - MP — Multiple Package — Order sufficient number of packages to meet the unit requirements listed in the "Used On" column. Refer to Price Pages for order quantity.
 - NI — Not Illustrated
 - NA — Part is Not Available
 - NPS — New Part or Item that is Stocked
 - NPN — New Part or Item that is Not Stocked
 - NS — Not Stocked
 - NSS — Not Sold Separately — Order complete assembly
-
- SM1 — Sheet Metal 1. Current production unit. Available production component. Normal lead times. Order will be placed on factory for delivery after next production run.
 - SM2 — Sheet Metal 2. Obsolete production unit. May be supplied on a special order basis for a period up to two years following last production run. Longer lead times than SM1. Price and delivery will be supplied to the customer for his approval before placing the order. Where customer does not want to place an order because of excessive cost, we will supply drawings, if he so requests.
 - SM3 — Obsolete production unit. Tooling is not available, or fabrication cost excessive. Part no longer available. Drawings of these parts will be made available on request.